

COLT *Huntsman* AUTOMATIC PISTOL



**INSTRUCTIONS FOR
ASSEMBLY—DISASSEMBLY
CLEANING**

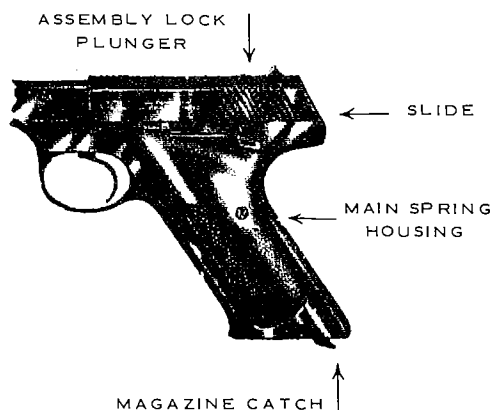
INSTRUCTIONS

ASSEMBLY - DISASSEMBLY - CLEANING

ACTION. The action of this pistol is automatic only in the sense that after firing, the spent shell is extracted from the chamber and a fresh cartridge is stripped from the magazine and fed into the chamber. The trigger must be pulled to fire each shot. The disconnecting mechanism which prevents full automatic action as in a machine gun also prevents firing the pistol if the slide is not fully closed.

SAFETY LOCK. The safety lock, when pushed up, locks the slide from moving back and the sear from moving out from under the hammer when the trigger is pulled. This prevents the arm from being fired until the safety lock is depressed into the unlocked position.

LOADING THE PISTOL. To load the pistol, pull back the slide with the empty magazine in the gun. The slide stop will hold the slide in the "open" position. Remove empty magazine by pressing the magazine catch on the butt to the rear. Load the magazine; correct procedure is as follows: Depress the magazine follower stud just far enough to allow insertion of one cartridge. Repeat this procedure, loading the desired number of cartridges (up to the maximum capacity of 10) *one at a time. DO NOT retract stud to full-load position and load all 10 cartridges at a time, as this may prevent correct feeding.* Insert the loaded magazine, making sure that it is all the way in, and close the magazine catch. Depress the slide stop and the slide will close, stripping a cartridge from the magazine and feeding it into the chamber. The pistol is now ready to fire. **EXERCISE CAUTION!**



MAGAZINE. The magazine has an easily operable thumb-piece which facilitates loading. The magazine is held in the receiver by a magazine catch located at base of main spring housing. Thumb pressure on this catch releases the magazine.

DUALTONE FINISH. To minimize accuracy-disturbing glare, all reflecting areas have a glare-proof "satin" finish, with other areas retaining the regular, high polish Colt blue.

OPERATION OF THE HUNTSMAN

1. Squeeze trigger.
2. Trigger pulls trigger bar forward.
3. Trigger bar moves sear out of notch in hammer.
4. Hammer is actuated by main spring through hammer strut.
5. Hammer strikes firing pin.
6. Firing pin moves forward, indents primer and fires cartridge.
7. Cartridge explosion drives bullet forward. The blow-back opens the slide.
8. Slide moves backward, forcing trigger bar down disconnecting it from sear; carries spent shell back until it hits ejector and is knocked out from under extractor. Further backward motion cocks hammer.
9. Slide strikes main spring housing and stops.
10. Slide, moving forward under pressure of recoil spring, strips a cartridge from the magazine and feeds it into the chamber.
11. With slide closed it is necessary to relax finger pressure so that the trigger spring can move trigger forward and trigger bar can move up to engage the sear.
12. Arm is ready to fire second shot.

DISASSEMBLY FOR CLEANING

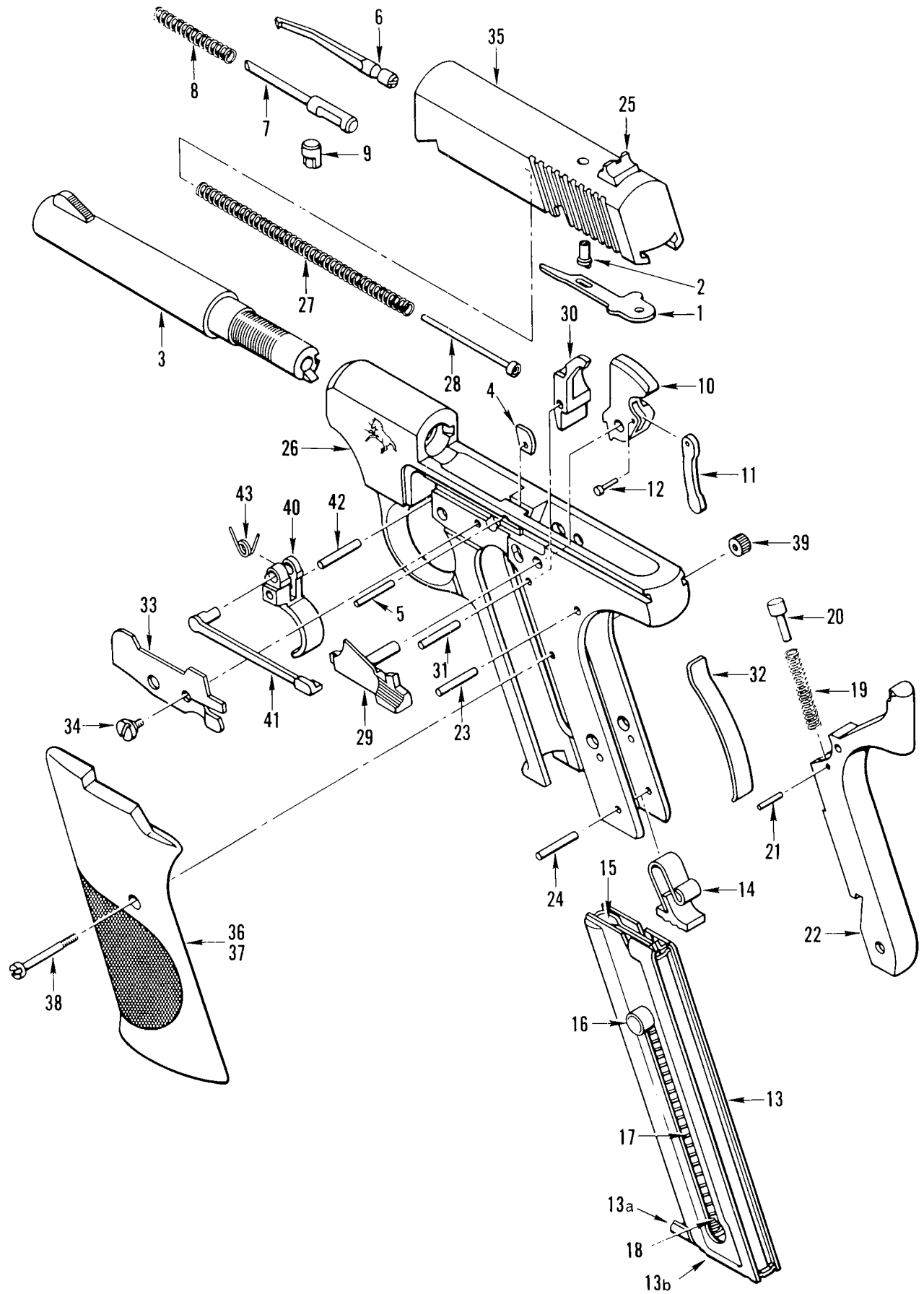
Make sure that the magazine and chamber are empty!

Remove stocks. Press in on upper radius of main spring housing and, using stock screw, push out housing retainer pin. Housing retainer pin is located on grip part of receiver, under the left stock, directly below the thumb piece of the safety lock.

Hold arm by the barrel in the left hand. Grasp the serrated portion of the slide with the thumb and middle finger of right hand. Pull back slide as far as it will go. Press down assembly lock plunger with forefinger. Let slide move forward. Pressure of recoil spring will be released and slide will feel "free."

Pull trigger to release hammer. Retract slide approximately 1/8" to allow sear to drop into half cock notch. Then press upward and inward on deep uppermost curve of the main spring housing with the thumb of the right hand. The main spring housing will snap out at the bottom and can be removed along with the sear spring. Remove slide and magazine.

The arm is ready for cleaning.



CLEANING THE HUNTSMAN. A brass rod cleaner with revolving handle and detachable brass wire brush, a hardwood rod with knobbed end, pieces of cotton flannel cut to a size that will fit the bore snugly, and some good cleaning solution (of which there are several good preparations now sold for the purpose), will complete an outfit with which the weapon can be kept in perfect condition. The brass wire brush should be dipped in the cleaning fluid, and the inside of the barrel scrubbed well; wipe out with patches on the end of wood rod until the last cloth comes out clean. Then give the bore and all parts a good coating of oil.

Never leave a gun in a leather holster for any length of time. Leather absorbs moisture, which will cause the weapon to rust.

Be very careful in all cleaning not to injure the rifling at MUZZLE of pistol. Never reverse direction while running a brass wire brush through the bore. Pass it through until it emerges from the muzzle end then repeat the procedure.

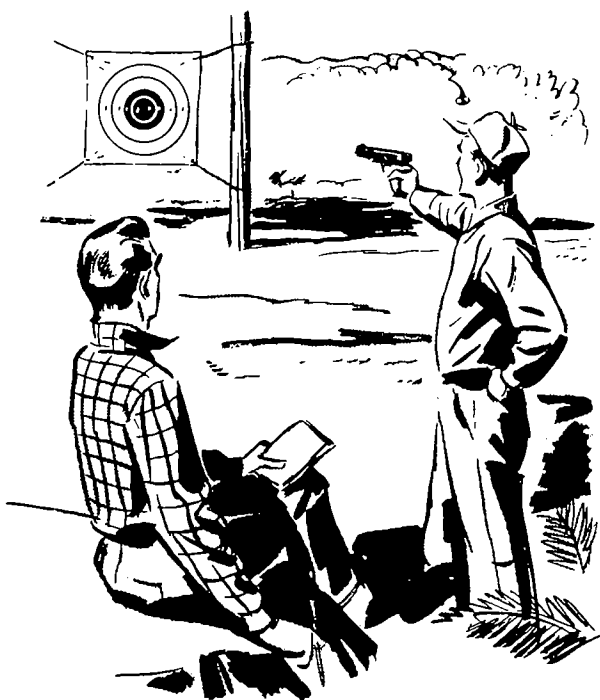
RE-ASSEMBLY AFTER CLEANING. Place slide on receiver and push forward to closed position. Place sear spring in position with lug in slot and top of spring resting on the sear and under the hammer strut. BE SURE sear spring is seated in slot before housing is placed in position; failure to do this will result in a bent sear spring with a loss of tensile strength. Pull trigger to make sure hammer is fully forward. Insert main spring housing into receiver and snap into place. Insert main spring housing retainer pin and replace stocks

NOTE: If care is not exercised in cleaning the slide, the recoil spring guide is sometimes detached from the end of the assembly lock. This allows the recoil spring to extend and prevents correct re-assembling. If detached, replace by compressing the recoil spring and guide with a small screw driver and replacing the guide onto the end of the assembly lock.

Drawing Number	Part Number
1	Assembly Lock 50019
2	Assembly Lock Plunger 51249
3	Barrel Detail Assembly—4½" 50878
3	Barrel Detail Assembly—6" 50885
4	Ejector 51549
5	Ejector Pin 50032
6	Extractor 50021
7	Firing Pin 50022
8	Firing Pin Spring 50023
9	Firing Pin Stop 50024
10	Hammer 50035
11	Hammer Strut 50036
12	Hammer Strut Pin 50729
13	Magazine Assembly 51463
13a	Magazine Base 51471
13b	Magazine Base Lock 51470
14	Magazine Catch Assembly 50881
15	Magazine Follower 51467
16	Magazine Follower Stud 51468
17	Magazine Spring 50064
18	Magazine Spring Guide 50115
19	Main Spring 50010
20	Main Spring Cap 50011
21	Main Spring Cap Pin 50012

Drawing Number	Part Number
22	Main Spring Housing 50688
23	Main Spring Housing Lock Pin 50015
24	Main Spring Housing Retainer Pin 50015
25	Rear Sight 50190
26	Receiver (Main Frame) Not For Sale
27	Recoil Spring 50025
28	Recoil Spring Guide 50026
29	Safety Lock Detail Assembly 50038
30	Sear 50042
31	Sear Pin 50015
32	Sear Spring 50044
33	Side Plate 50689
34	Side Plate Screw 50684
35	Slide Detail Assembly 50691
36	Stock—Left Hand—Walnut (Without Thumb Rest)* 51967
37	Stock—Right Hand—Walnut* 51969
38	Stock Screw 50088
39	Stock Screw Nut 50089
40	Trigger 51479
41	Trigger Bar 50050
42	Trigger Pin 50017
43	Trigger Spring 50051

*Stocks sold only in pairs, with Stock Screws



YOUR COLT GUARANTEE

All Colt Revolvers and Automatic Pistols are built to exacting standards of engineering, manufacturing, and inspection, and are warranted to be free from defects in material and workmanship under normal use and service for a period of 12 months. Colt obligation is limited to repairing or replacing, F.O.B. Hartford, Conn., U.S.A., any part of a Colt Revolver or Automatic Pistol which Colt examination discloses to be thus defective.

This warranty is in lieu of all other warranties, expressed or implied. This warranty shall not apply to defects resulting from accidents, alterations, abuse, or misuse. This warranty shall be void if the Colt Revolver or Automatic Pistol has been altered or repaired outside our factory, or if any part not of Colt manufacture has been incorporated in the weapon, or if other than factory loaded ammunition is used.



Colt Industries
Firearms Division
150 Huyshope Avenue
Hartford, Conn., U.S.A. 06102